



Heat Source ONE

MORE ROBUST, RELIABLE AND EFFICIENT FORM OF TEMPERATURE CONTROL

The Heat Source ONE heater (HS1) can improve the reliability, efficiency, and operational life of electrical equipment by maintaining an enclosure temperature only slightly higher than the outside ambient temperature. Its integrated fan assembly ensures even heat distribution throughout the enclosure while minimizing the impact of dusty environments.



Operating Temperatures: -40C - +60C

Customer Configurable

SEE BACK SIDE FOR PART NUMBER CONFIGURATION TOOL.

POSITIVE TEMPERATURE COEFFICIENT (PTC) HEATER TECHNOLOGY

Our HS1 heaters are constructed with a variable resistance (current limiting) material that automatically controls the cabinet temperature to reduce heater output as the input temperature rises. PTC heating “stones” moderate the heater output and ensure an even distribution of warm air throughout the cabinet, increasing heater reliability and efficiency.

PREVENTS CONDENSATION WITH LONGER FAN LIFE

HS1 heaters feature a robust fan with IP55-rated sealed ball bearings that will function properly even in dusty environments. This integral circulating fan moves warm air around the cabinet, maintaining an even heat distribution with top and side air vents and providing uniform condensation protection with no additional wiring required.

INSTALLS QUICKLY

The electrical connections from the fan to the heater are pre-wired, so the only connection needed is to provide power to the assembly. Our forced air HS1 heaters include a 12 foot long wire harness with quick-connect end for easy installation. Integrated clip with DIN rail mounting allows for quick orientation in cabinet for proper air circulation.

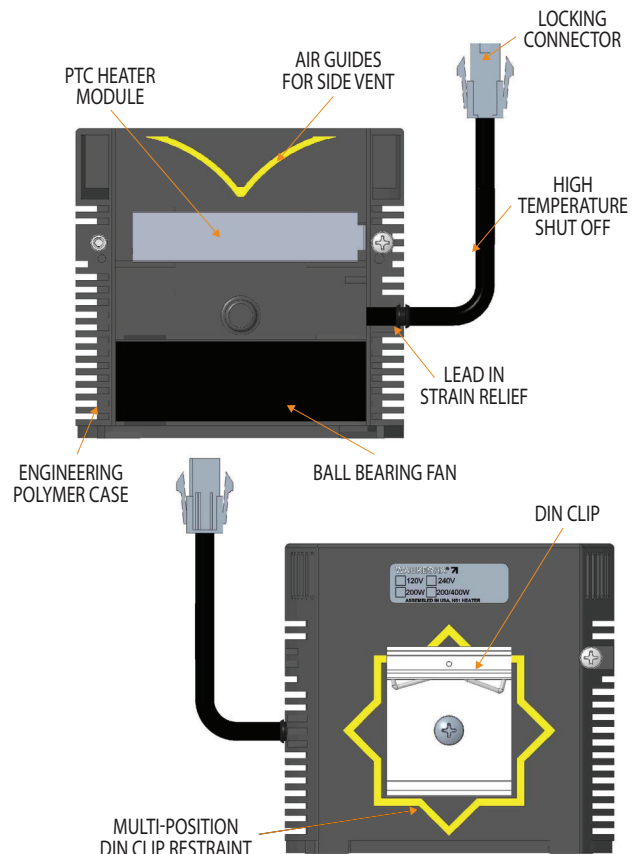
FEATURES

- IP55-rated fan bearings able to withstand harsh environments
- Temperature cutoff after reaching 40° C (104° F)
- Energy efficient
- Low electrical noise
- Low surface temperature – “Safe Touch”

AVAILABLE IN THE FOLLOWING CONFIGURATIONS:

- 200 Watt, Fan Forced*
- 200/400 Watt, Fan Forced (High Recovery)*

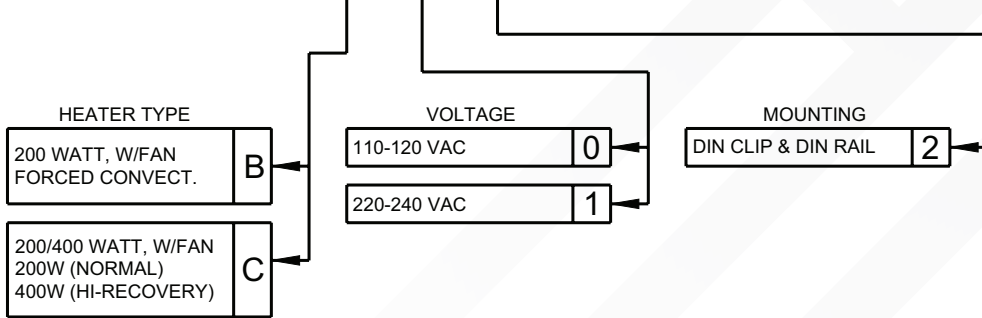
* Specify either 120V or 240V



Build Your Own Part Number Using Configuration Below

HEAT SOURCE ONE HEATER SYSTEM

HS1 - XXX

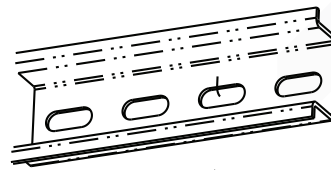
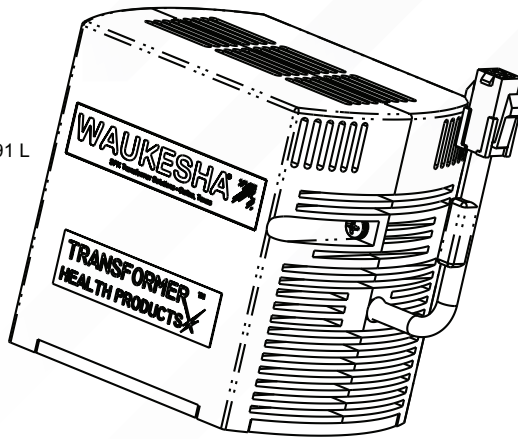


NOTES:

- Hi-recovery HS1 heaters operate as standard 200 watt heaters until the 400 watt mode is activated by an integral thermostat set to energize at 5°C ± 3°C (41°F ± 5°F).
- All forced air heaters are equipped with a high temperature heater shut off at 40°C ± 3°C (104°F ± 5°F) (fan remains open)
- Heater reactivates as the temperature falls

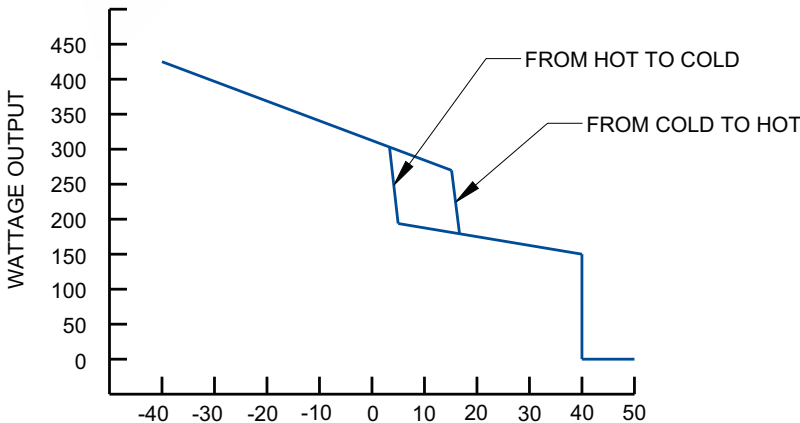
HS1 HEATER SERIES "B & C"

MOUNTING: DIN RAIL
SIZE: 4.15 W x 3.35 D x 3.91 L

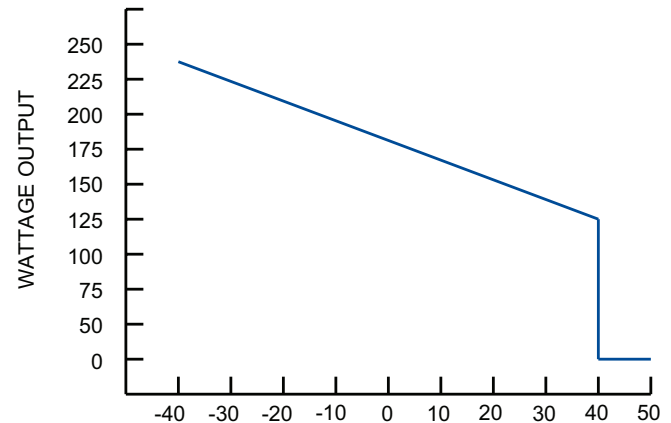


4" DIN RAIL

INPUT AIR TEMPERATURE °C



200/400W FORCED AIR HS1



200W FORCED AIR HS1

PARTNERSHIP VALUE

Capital budgets run thin. O&M budgets face pressure from rising costs and organizational desire to reduce spend. SPX Transformer Solutions helps you stretch your budget by providing better-than-original solutions that can lengthen duty cycles and reduce maintenance spend. We serve as an extension of your organization's capabilities, providing resources to help maximize your budgets and reduce the burden on your internal engineering and maintenance resources.

Contact us for more information. To download a technical manual, field maintenance manual and/or technical paper, visit our website.



CALL 800-338-5526
VISIT www.waukeshacomponents.com
9011 Governors Row | Dallas, Texas 75247

To continually improve its products and services, SPX Transformer Solutions, Inc. reserves the right to change specifications and features without notice. Please contact us for certified dimensions and drawings.